

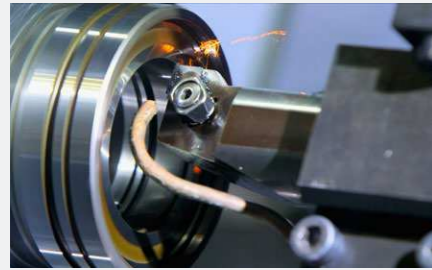


Hydraulic Drifters

HC Range Overview



Design excellence



The use of innovative high performance technology in product design and manufacturing makes Montabert breakers and hydraulic drifters the most efficient and reliable choice for customers around the globe.

Since 1921, Montabert products have been produced with a commitment to designing methods and solutions focused on productivity, reliability and safety.

A continuous investment in research and development has resulted in the delivery of technology products that will revolutionize the hydraulic rock breaker market. For almost 100 years, Montabert products have led the industry with three to five patents a year.

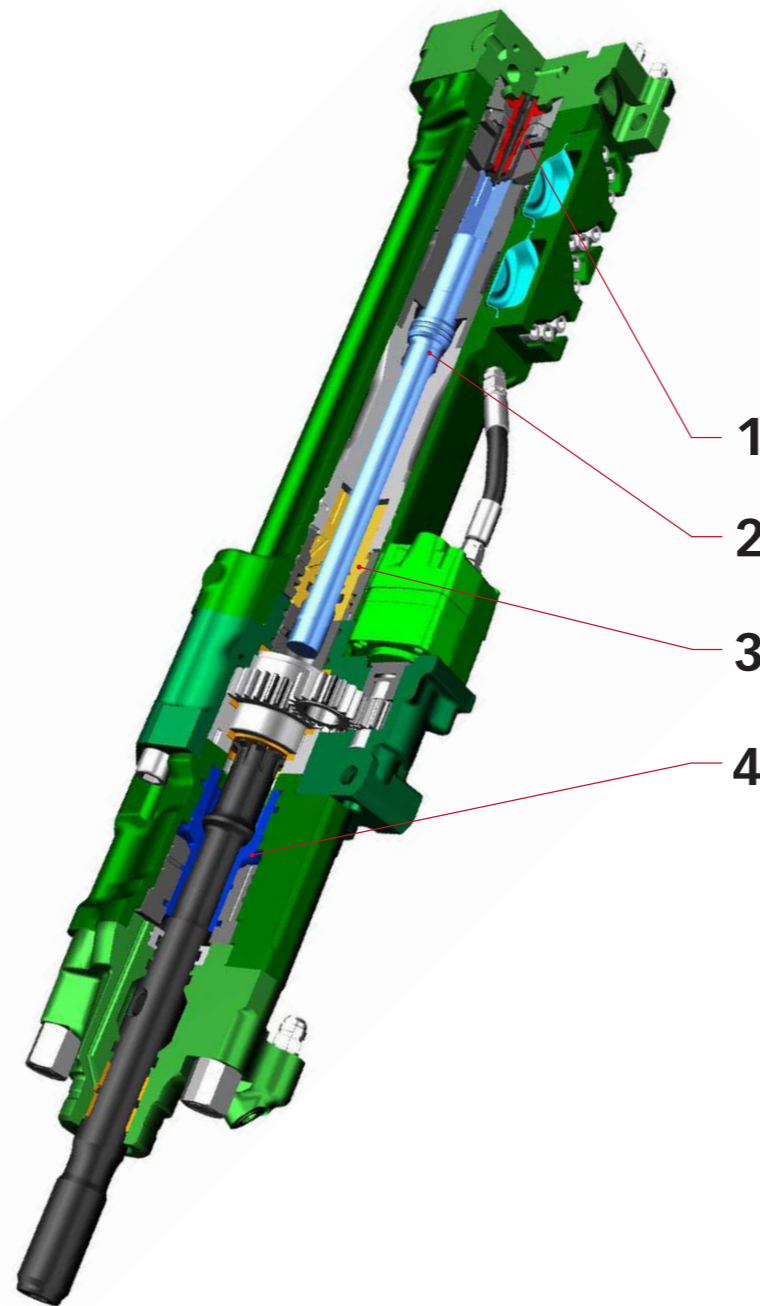
With a network of 150 dealers around the world, you will always find a Montabert certified partner close to you to provide the best service and solutions.

Montabert drifters are the result of years of experience in hydraulic rock breakers and drifters design and manufacturing.

In-depth knowledge of shock wave transmission and percussion mechanism theory has allowed our engineers to be the first to develop new concepts such as hydraulic dampening and progressive blow energy.

Our close relationship between manufacturing and engineering, ultra modern machining tools, and sophisticated heat treatment workshop in our Saint-Priest plant, are some of the factors that have allowed us to offer hydraulic drifters which are recognized as the worldwide leaders for:

- High performance
- Best reliability
- Long maintenance intervals
- Low tool consumption



1. Energy recovery valve

This valve allows the piston rebound energy to be utilized for the next blow, giving a definite advantage to the HC series drifters:

- Better efficiency
- No internal peak of pressure source of cavitation
- Best drifter protection

2. Progressive blow energy

The unique design of the piston generates a perfect, long trapezoidal-shaped shock wave:

- Better energy transmission to the bits
- Minimum stress into the drill string
- Better bit penetration

3. Hydraulic dampening system

The action of the dampening piston not only absorbs the lost part of reflected energy but also ensures a constant thrust onto the tools:

- Optimum shock wave transmission
- Protection of the drifter and tools
- Reduced vibrations

4. Hydraulic reserve percussion

The optimal hydraulic reverse percussion system ensures a real back hammering:

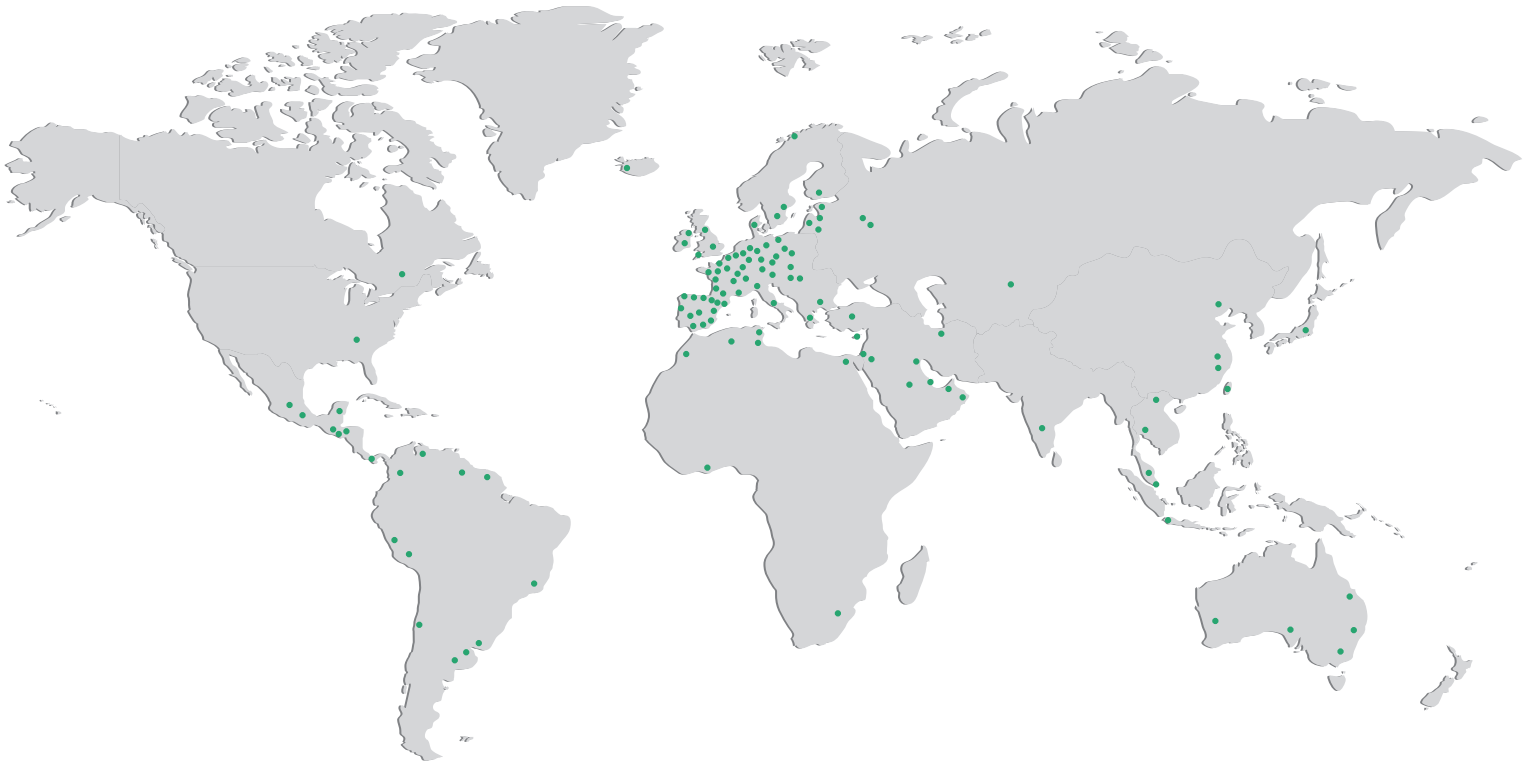
- Tool extraction in fractured ground
- No rods left in the hole

Straight holes drilling

- When associated with Montabert drilling controls



		HC20	HC25	HC28	HC50	HC95	HC109	HC110	HC112	HC150	HC170	HC200A
Weight	kg	69	71	103	104	180	142 - 170	210 - 245	248	190	320	418
Overall length	mm	553 - 788	702 - 787	800 - 913	825 - 996	971 - 1,175	1,184 - 1,340	1,117 - 1,457	1,422 - 1,505	1,745	1,525	1,646
Hole range	mm	15 - 51	32 - 51	32 - 64	45 - 76	45 - 102	45 - 102	51 - 89	76 - 127	76 - 115	89 - 127	102 - 152
Shank adapter	Hex 19 x108	R25 F	R25 F	R25 F	R25 F	R32 M	R38 M	T38 M	T45 M	R38 M	T51 M	T51 M
	Hex 22 x108	R28 F	R28 F	R28 F	R28 F	R32 M	R38 M	T38 M	T45 M	R38 M	T51 M	T51 M
	Hex 25 x108	R32 F	R32 F	R32 F	R32 F	R38 M	R38 M	T38 M	T45 M	R38 M	T51 M	T51 M
	R25 F	R28 M	R32 M	R32 M	R32 M	T38 M	T38 M	T45 M	T51 M	T45 M	T68 M	T60 M
	R32 F	R32 M	R38 M	R38 M	R38 M	T45 M	T45 M	T51 M	T60 M	T45 M	T68 M	T60 M
	R32 M	R38 M	T38 M	T38 M								
Application		Bolting Benching	Bolting Benching	Bolting Tunneling Benching	Bolting Tunneling Benching	Bolting Tunneling Benching	Tunneling Benching	Tunneling Benching	Benching Long hole	Tunneling Benching Long hole	Benching Long hole	Benching Long hole
Hydraulic reverse percussion		No	No	No	No	Yes	Yes	Yes	Yes	Yes	Yes	Yes



150 dealers around the world
Find yours: www.montabert.com

Product designs, specifications and/or data in this document are provided for informational purposes only and are not warranties of any kind. Product designs and/or specifications may be changed at any time without notice. The only warranties that apply to sales of products and services are Joy Global's standard written warranties, which will be furnished upon request.

Joy Global, Joy, Montabert P&H and related logos are trademarks of Joy Global Inc. or one of its affiliates.
© 2017 Joy Global Inc. or one of its affiliates. All rights reserved.



montabert.com